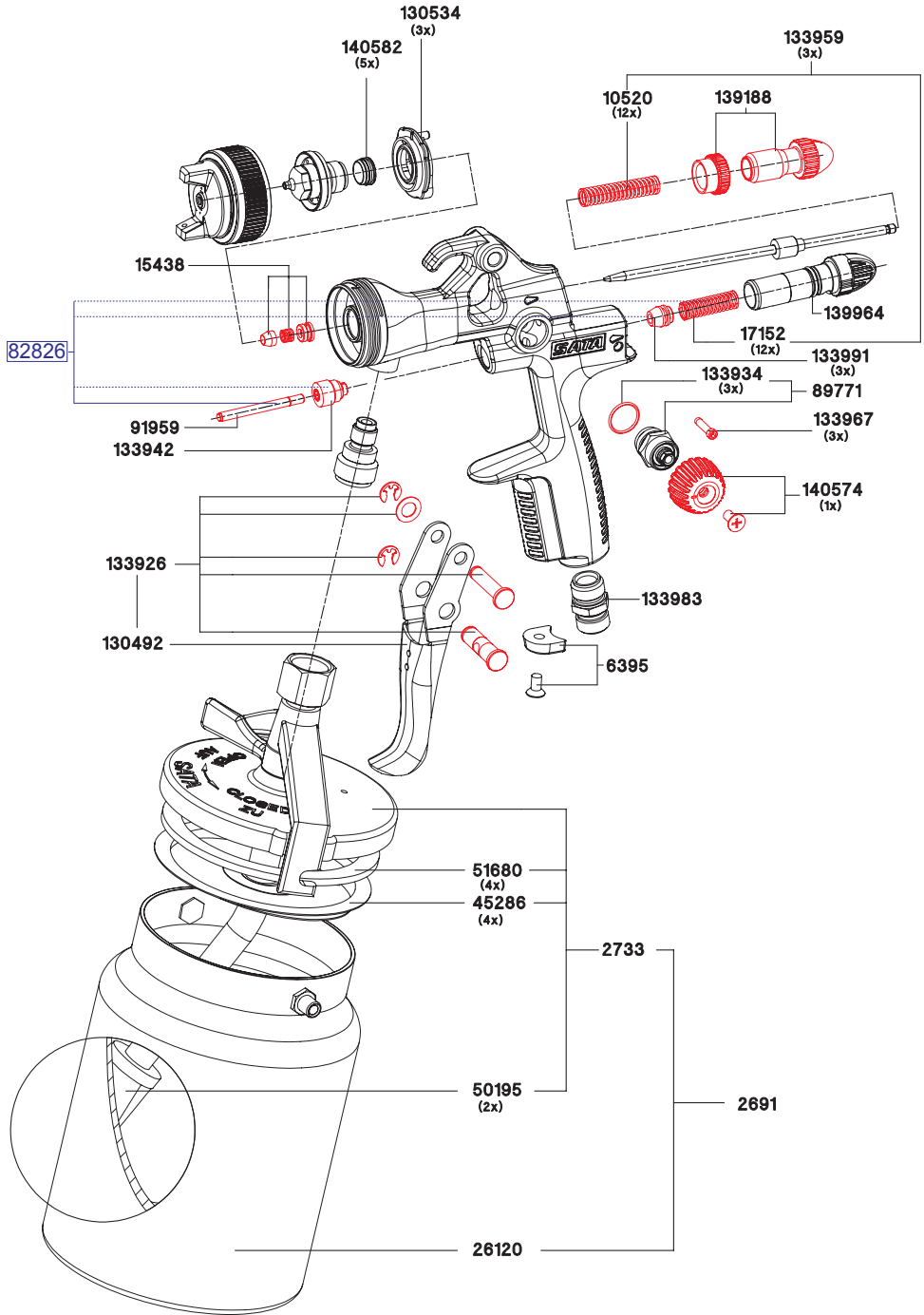


Spare Parts SATAjet® 1000 H

Original SATA spare parts to enhance the lifetime of the spray gun

Art. No./Descr.
2691 Aluminium suction cup 1 l with lid
2733 Lid fitting complete with sealing ring, from gun serial number 1001 on
6395 Pack of 4 CCS clips available in colours green, blue, red and black
10520 12 Springs
15438 Paint needle packing
17152 Pack of 12 springs
26120 1 l aluminium suction cup
45286 4 non-drip-devices for 1 l suction cup (aluminium)
50195 2 strainers for 1 l suction cup (aluminium)
51680 Gasket ring for 1 l suction cup (aluminium), packing unit: 4
89771 Spindle, cpl., for round / flat spray control
91959 Air piston rod
130492 Trigger kit packed in PVC bag
130534 Pack of 3 distribution rings
133926 Trigger sleeve kit
133934 Pack of 3 packings
133942 Seal retainer
133959 Set of springs with each 3 pieces paint needles/air piston springs
133967 Pack of 3 adjustment screws
133983 Air connection piece G1/4a
133991 Pack of 3 air piston heads
139188 Material flow control with counter nut
139964 Air micrometer for
140574 Control knob and screw (each 1)
140582 Pack of 5 sealing elements



All prices are suggested list prices. Errors, technical modifications and printing errors reserved.

- 9050
Tool kit
- High performance grease, 3g tube
 - Extraction tool
 - Paint strainer
 - Cleaning brush
 - Allen wrench 2 mm width
 - Allen wrench 4 mm width
 - Universal wrench



- Art. No./Descr.
- 130542**
 - Repair Kit**
 - 82826**
 - Air piston service unit**